

Prepared for:
 JERRY EIME
 SUNSET HILLS CITY OF
 3939 S LINDBERGH BLVD
 SUNSET HILLS, MO 63127

Prepared by:
 Aaron Likas
 Truck Centers, Inc.
 2280 Formosa Road
 Troy, IL 62294

Q U O T A T I O N

108SD CONVENTIONAL CHASSIS

SET BACK AXLE - TRUCK CUM L9 300 HP @ 2200 RPM; 2200 GOV RPM, 860 LB-FT @ 1200 RPM ALLISON 3500 RDS AUTOMATIC TRANSMISSION WITH PTO PROVISION RS-23-160 23,000# R-SERIES SINGLE REAR AXLE 23,000# FLAT LEAF SPRING REAR SUSPENSION WITH HELPER AND RADIUS ROD MFS-14-143A 14,700# FF1 71.5 INCH KPI/3.74 INCH DROP SINGLE FRONT AXLE 14,600# TAPERLEAF FRONT SUSPENSION	108 INCH BBC FLAT ROOF ALUMINUM CONVENTIONAL CAB 4150MM (163 INCH) WHEELBASE 11/32X3-1/2X10-15/16 INCH STEEL FRAME (8.73MMX277.8MM/0.344X10.94 INCH) 120KSI 2025MM (80 INCH) REAR FRAME OVERHANG 1/4 INCH (6.35MM) C-CHANNEL INNER FRAME REINFORCEMENT BODY COMPANY INSTALLED ADDITIONAL FRONT FRAME REINFORCEMENT FOR SNOW PLOW
---	---

			PER UNIT		TOTAL
VEHICLE PRICE	TOTAL # OF UNITS (1)	\$	86,932	\$	86,932
EXTENDED WARRANTY		\$	2,090	\$	2,090
DEALER INSTALLED OPTIONS		\$	0	\$	0
CUSTOMER PRICE BEFORE TAX		\$	89,022	\$	89,022
TAXES AND FEES					
TAXES AND FEES		\$	0	\$	0
OTHER CHARGES		\$	0	\$	0
TRADE-IN					
TRADE-IN ALLOWANCE		\$	(0)	\$	(0)
BALANCE DUE	(LOCAL CURRENCY)	\$	89,022	\$	89,022



Financing that works for you.

See your local dealer for a competitive quote from Daimler Truck Financial, or contact us at Information@dtfoffers.com.

Daimler Truck Financial offers a variety of finance, lease and insurance solutions to fit your business needs. For more information about our products and services, visit our website at www.daimler-truckfinancial.com.



Prepared for:
 JERRY EIME
 SUNSET HILLS CITY OF
 3939 S LINDBERGH BLVD
 SUNSET HILLS, MO 63127

Prepared by:
 Aaron Likas
 Truck Centers, Inc.
 2280 Formosa Road
 Troy, IL 62294

S P E C I F I C A T I O N P R O P O S A L

Data Code	Description	Weight Front	Weight Rear	Retail Price
Price Level				
PRL-26D	SD PRL-26D (EFF:7/26/21)			STD
Data Version				
DRL-028	SPECPRO21 DATA RELEASE VER 028			N/C
Vehicle Configuration				
001-176	108SD CONVENTIONAL CHASSIS	6,829	3,748	
004-223	2023 MODEL YEAR SPECIFIED			STD
002-004	SET BACK AXLE - TRUCK			STD
019-001	TRAILER TOWING PROVISION AT END OF FRAME FOR TRUCK	10	10	\$1,025.00
003-001	LH PRIMARY STEERING LOCATION			STD
General Service				
AA1-003	TRUCK/TRAILER CONFIGURATION			N/C
AA6-002	DOMICILED, USA (EXCLUDING CALIFORNIA AND CARB OPT-IN STATES)			N/C
A85-010	UTILITY/REPAIR/MAINTENANCE SERVICE			N/C
A84-1GM	GOVERNMENT BUSINESS SEGMENT			N/C
AA4-010	DIRT/SAND/ROCK COMMODITY			N/C
AA5-002	TERRAIN/DUTY: 100% (ALL) OF THE TIME, IN TRANSIT, IS SPENT ON PAVED ROADS			STD
AB1-008	MAXIMUM 8% EXPECTED GRADE			STD
AB5-001	SMOOTH CONCRETE OR ASPHALT PAVEMENT - MOST SEVERE IN-TRANSIT (BETWEEN SITES) ROAD SURFACE			STD
995-1A0	FREIGHTLINER SD VOCATIONAL WARRANTY			STD
A66-99D	EXPECTED FRONT AXLE(S) LOAD : 13220.0 lbs			
A68-99D	EXPECTED REAR DRIVE AXLE(S) LOAD : 23000.0 lbs			
A63-99D	EXPECTED GROSS VEHICLE WEIGHT CAPACITY : 36220.0 lbs			
A70-99D	EXPECTED GROSS COMBINATION WEIGHT : 80000.0 lbs			
Truck Service				
AA3-018	FRONT PLOW/END DUMP BODY			N/C
AF3-2B1	VIKING-CIVES MIDWEST			N/C



Prepared for:
 JERRY EIME
 SUNSET HILLS CITY OF
 3939 S LINDBERGH BLVD
 SUNSET HILLS, MO 63127

Prepared by:
 Aaron Likas
 Truck Centers, Inc.
 2280 Formosa Road
 Troy, IL 62294

Data Code	Description	Weight Front	Weight Rear	Retail Price
Engine				
101-3BN	CUM L9 300 HP @ 2200 RPM; 2200 GOV RPM, 860 LB-FT @ 1200 RPM			\$1,517.00
Electronic Parameters				
79A-066	66 MPH ROAD SPEED LIMIT			N/C
79B-000	CRUISE CONTROL SPEED LIMIT SAME AS ROAD SPEED LIMIT			N/C
79K-007	PTO MODE ENGINE RPM LIMIT - 1100 RPM			N/C
79M-001	PTO MODE BRAKE OVERRIDE - SERVICE BRAKE APPLIED			N/C
79P-002	PTO RPM WITH CRUISE SET SWITCH - 700 RPM			N/C
79Q-002	PTO RPM WITH CRUISE RESUME SWITCH - 700 RPM			N/C
79S-001	PTO MODE CANCEL VEHICLE SPEED - 5 MPH			N/C
79U-007	PTO GOVERNOR RAMP RATE - 250 RPM PER SECOND			N/C
80G-002	PTO MINIMUM RPM - 700			N/C
80J-002	REGEN INHIBIT SPEED THRESHOLD - 5 MPH			N/C
Engine Equipment				
99C-021	2010 EPA/CARB/GHG21 CONFIGURATION			STD
99D-010	NO 2008 CARB EMISSION CERTIFICATION			N/C
13E-001	STANDARD OIL PAN			STD
105-001	ENGINE MOUNTED OIL CHECK AND FILL			STD
014-1B5	SIDE OF HOOD AIR INTAKE WITH DONALDSON HIGH CAPACITY AIR CLEANER WITH SAFETY ELEMENT, FIREWALL MOUNTED			\$25.00
124-1E1	DR 12V 200 AMP 28-SI QUADRAMOUNT PAD ALTERNATOR WITH REMOTE BATTERY VOLT SENSE			\$143.00
292-235	(2) DTNA GENUINE, FLOODED STARTING, MIN 2000CCA, 370RC, THREADED STUD BATTERIES			STD
290-017	BATTERY BOX FRAME MOUNTED			STD
281-001	STANDARD BATTERY JUMPERS			STD
282-001	SINGLE BATTERY BOX FRAME MOUNTED LH SIDE UNDER CAB			\$18.00
291-017	WIRE GROUND RETURN FOR BATTERY CABLES WITH ADDITIONAL FRAME GROUND RETURN			STD
289-001	NON-POLISHED BATTERY BOX COVER			STD
87P-001	CAB AUXILIARY POWER CABLE	5		\$62.00
293-058	POSITIVE LOAD DISCONNECT WITH CAB MOUNTED CONTROL SWITCH MOUNTED OUTBOARD DRIVER SEAT	10		\$206.00



Prepared for:
 JERRY EIME
 SUNSET HILLS CITY OF
 3939 S LINDBERGH BLVD
 SUNSET HILLS, MO 63127

Prepared by:
 Aaron Likas
 Truck Centers, Inc.
 2280 Formosa Road
 Troy, IL 62294

Data Code	Description	Weight Front	Weight Rear	Retail Price
295-029	POSITIVE AND NEGATIVE POSTS FOR JUMPSTART LOCATED ON FRAME NEXT TO STARTER	2		\$88.00
107-032	CUMMINS TURBOCHARGED 18.7 CFM AIR COMPRESSOR WITH INTERNAL SAFETY VALVE			STD
152-041	ELECTRONIC ENGINE INTEGRAL SHUTDOWN PROTECTION SYSTEM			STD
128-076	CUMMINS ENGINE INTEGRAL BRAKE WITH VARIABLE GEOMETRY TURBO ON/OFF	20		STD
016-1C2	RH OUTBOARD UNDER STEP MOUNTED HORIZONTAL AFTERTREATMENT SYSTEM ASSEMBLY WITH RH B-PILLAR MOUNTED VERTICAL TAILPIPE	30	25	\$816.00
28F-002	ENGINE AFTERTREATMENT DEVICE, AUTOMATIC OVER THE ROAD REGENERATION AND DASH MOUNTED REGENERATION REQUEST SWITCH			N/C
239-026	10 FOOT 06 INCH (126 INCH+0/-5.9 INCH) EXHAUST SYSTEM HEIGHT			(\$3.00)
237-1CR	RH CURVED VERTICAL TAILPIPE B-PILLAR MOUNTED ROUTED FROM STEP			N/C
23U-001	6 GALLON DIESEL EXHAUST FLUID TANK	-35	-10	N/C
30N-003	100 PERCENT DIESEL EXHAUST FLUID FILL			(\$17.00)
23Y-001	STANDARD DIESEL EXHAUST FLUID PUMP MOUNTING			STD
43X-002	LH MEDIUM DUTY STANDARD DIESEL EXHAUST FLUID TANK LOCATION			STD
43Y-001	STANDARD DIESEL EXHAUST FLUID TANK CAP			STD
242-011	ALUMINUM AFTERTREATMENT DEVICE/MUFFLER/TAILOPIPE SHIELD(S)			N/C
273-018	HORTON DRIVEMASTER ADVANTAGE ON/OFF FAN DRIVE			N/C
276-001	AUTOMATIC FAN CONTROL WITHOUT DASH SWITCH, NON ENGINE MOUNTED			STD
110-003	CUMMINS SPIN ON FUEL FILTER			STD
118-008	COMBINATION FULL FLOW/BYPASS OIL FILTER			STD
266-104	1115 SQUARE INCH ALUMINUM RADIATOR			STD
103-039	ANTIFREEZE TO -34F, OAT (NITRITE AND SILICATE FREE) EXTENDED LIFE COOLANT			STD
171-007	GATES BLUE STRIPE COOLANT HOSES OR EQUIVALENT			STD
172-001	CONSTANT TENSION HOSE CLAMPS FOR COOLANT HOSES			STD
270-016	RADIATOR DRAIN VALVE			STD
360-016	1310 ADAPTER FLANGE FOR FRONT PTO PROVISION	10		\$624.00



Prepared for:
 JERRY EIME
 SUNSET HILLS CITY OF
 3939 S LINDBERGH BLVD
 SUNSET HILLS, MO 63127

Prepared by:
 Aaron Likas
 Truck Centers, Inc.
 2280 Formosa Road
 Troy, IL 62294

Data Code	Description	Weight Front	Weight Rear	Retail Price
138-011	PHILLIPS-TEMRO 1000 WATT/115 VOLT BLOCK HEATER	4		\$92.00
140-053	BLACK PLASTIC ENGINE HEATER RECEPTACLE MOUNTED UNDER LH DOOR			N/C
132-004	ELECTRIC GRID AIR INTAKE WARMER			STD
155-058	DELCO 12V 38MT HD STARTER WITH INTEGRATED MAGNETIC SWITCH			STD

Transmission

342-584	ALLISON 3500 RDS AUTOMATIC TRANSMISSION WITH PTO PROVISION			(\$75.00)
---------	--	--	--	-----------

Transmission Equipment

343-339	ALLISON VOCATIONAL PACKAGE 223 - AVAILABLE ON 3000/4000 PRODUCT FAMILIES WITH VOCATIONAL MODELS RDS, HS, MH AND TRV			STD
84B-012	ALLISON VOCATIONAL RATING FOR ON/OFF HIGHWAY APPLICATIONS AVAILABLE WITH ALL PRODUCT FAMILIES			N/C
84C-023	PRIMARY MODE GEARS, LOWEST GEAR 1, START GEAR 1, HIGHEST GEAR 6, AVAILABLE FOR 3000/4000 PRODUCT FAMILIES ONLY			STD
84D-023	SECONDARY MODE GEARS, LOWEST GEAR 1, START GEAR 1, HIGHEST GEAR 6, AVAILABLE FOR 3000/4000 PRODUCT FAMILIES ONLY			STD
84E-017	S5 PERFORMANCE LIMITING PRIMARY SHIFT SCHEDULE, AVAILABLE FOR 3000/4000 PRODUCT FAMILIES ONLY			N/C
84F-016	S5 PERFORMANCE LIMITING SECONDARY SHIFT SCHEDULE, AVAILABLE FOR 3000/4000 PRODUCT FAMILIES ONLY			N/C
84G-013	2100 RPM PRIMARY MODE SHIFT SPEED			N/C
84H-014	2200 RPM SECONDARY MODE SHIFT SPEED			N/C
84U-000	DRIVER SWITCH INPUT - DEFAULT - NO SWITCHES			STD
353-022	VEHICLE INTERFACE WIRING CONNECTOR WITHOUT BLUNT CUTS, AT BACK OF CAB			\$49.00
34C-001	ELECTRONIC TRANSMISSION CUSTOMER ACCESS CONNECTOR FIREWALL MOUNTED			\$23.00
362-824	(2) CUSTOMER INSTALLED CHELSEA 280 SERIES PTO'S			N/C
363-011	PTO MOUNTING, LH AND RH SIDES OF MAIN TRANSMISSION			N/C
341-018	MAGNETIC PLUGS, ENGINE DRAIN, TRANSMISSION DRAIN, AXLE(S) FILL AND DRAIN			STD

Prepared for:
 JERRY EIME
 SUNSET HILLS CITY OF
 3939 S LINDBERGH BLVD
 SUNSET HILLS, MO 63127

Prepared by:
 Aaron Likas
 Truck Centers, Inc.
 2280 Formosa Road
 Troy, IL 62294

Data Code	Description	Weight Front	Weight Rear	Retail Price
345-003	PUSH BUTTON ELECTRONIC SHIFT CONTROL, DASH MOUNTED			STD
97G-004	TRANSMISSION PROGNOSTICS - ENABLED 2013			STD
370-015	WATER TO OIL TRANSMISSION COOLER, IN RADIATOR END TANK			STD
346-003	TRANSMISSION OIL CHECK AND FILL WITH ELECTRONIC OIL LEVEL CHECK			STD
35T-001	SYNTHETIC TRANSMISSION FLUID (TES-295 COMPLIANT)			STD
Front Axle and Equipment				
400-099	MFS-14-143A 14,700# FF1 71.5 INCH KPI/3.74 INCH DROP SINGLE FRONT AXLE	60		\$1,125.00
402-049	MERITOR 16.5X5 Q+ CAST SPIDER CAM FRONT BRAKES, DOUBLE ANCHOR, FABRICATED SHOES			N/C
403-002	NON-ASBESTOS FRONT BRAKE LINING			STD
419-001	CAST IRON OUTBOARD FRONT BRAKE DRUMS			STD
427-001	FRONT BRAKE DUST SHIELDS	5		\$102.00
409-006	FRONT OIL SEALS			STD
408-001	VENTED FRONT HUB CAPS WITH WINDOW, CENTER AND SIDE PLUGS - OIL			STD
416-022	STANDARD SPINDLE NUTS FOR ALL AXLES			STD
405-002	MERITOR AUTOMATIC FRONT SLACK ADJUSTERS			STD
406-001	STANDARD KING PIN BUSHINGS			STD
536-012	TRW TAS-85 POWER STEERING	40		N/C
539-003	POWER STEERING PUMP			STD
534-015	2 QUART SEE THROUGH POWER STEERING RESERVOIR			STD
40T-002	CURRENT AVAILABLE SYNTHETIC 75W-90 FRONT AXLE LUBE			\$17.00
Front Suspension				
620-010	14,600# TAPERLEAF FRONT SUSPENSION	170		\$484.00
619-005	MAINTENANCE FREE RUBBER BUSHINGS - FRONT SUSPENSION			STD
62G-998	NO FRONT SUSPENSION OPTIONS			STD
410-001	FRONT SHOCK ABSORBERS			STD
Rear Axle and Equipment				
420-051	RS-23-160 23,000# R-SERIES SINGLE REAR AXLE		180	\$872.00
421-614	6.14 REAR AXLE RATIO			N/C



Prepared for:
 JERRY EIME
 SUNSET HILLS CITY OF
 3939 S LINDBERGH BLVD
 SUNSET HILLS, MO 63127

Prepared by:
 Aaron Likas
 Truck Centers, Inc.
 2280 Formosa Road
 Troy, IL 62294

Data Code	Description	Weight Front	Weight Rear	Retail Price
424-001	IRON REAR AXLE CARRIER WITH STANDARD AXLE HOUSING			STD
386-073	MXL 17T MERITOR EXTENDED LUBE MAIN DRIVELINE WITH HALF ROUND YOKES			STD
423-033	MERITOR 16.5X7 Q+ CAST SPIDER HEAVY DUTY CAM REAR BRAKES, DOUBLE ANCHOR, FABRICATED SHOES			\$140.00
433-002	NON-ASBESTOS REAR BRAKE LINING			STD
434-011	BRAKE CAMS AND CHAMBERS ON FORWARD SIDE OF DRIVE AXLE(S)			N/C
451-001	CAST IRON OUTBOARD REAR BRAKE DRUMS			STD
425-002	REAR BRAKE DUST SHIELDS		5	\$65.00
440-006	REAR OIL SEALS			STD
426-100	WABCO TRISTOP D LONGSTROKE 1-DRIVE AXLE SPRING PARKING CHAMBERS			STD
428-002	MERITOR AUTOMATIC REAR SLACK ADJUSTERS			STD
41T-001	MINERAL SAE 80/90 REAR AXLE LUBE			(\$134.00)
42T-001	STANDARD REAR AXLE BREATHER(S)			STD
Rear Suspension				
622-003	23,000# FLAT LEAF SPRING REAR SUSPENSION WITH HELPER AND RADIUS ROD		50	\$347.00
621-001	SPRING SUSPENSION - NO AXLE SPACERS			N/C
431-001	STANDARD AXLE SEATS IN AXLE CLAMP GROUP			STD
623-005	FORE/AFT CONTROL RODS			STD
Brake System				
490-100	WABCO 4S/4M ABS			STD
871-001	REINFORCED NYLON, FABRIC BRAID AND WIRE BRAID CHASSIS AIR LINES			STD
904-001	FIBER BRAID PARKING BRAKE HOSE			STD
412-001	STANDARD BRAKE SYSTEM VALVES			STD
46D-002	STANDARD AIR SYSTEM PRESSURE PROTECTION SYSTEM			STD
413-002	STD U.S. FRONT BRAKE VALVE			STD
432-003	RELAY VALVE WITH 5-8 PSI CRACK PRESSURE, NO REAR PROPORTIONING VALVE			STD
480-086	BW AD-9SI BRAKE LINE AIR DRYER WITH HEATER			\$2.00
479-003	AIR DRYER MOUNTED INBOARD ON LH RAIL			N/C
460-001	STEEL AIR BRAKE RESERVOIRS			STD



Prepared for:
 JERRY EIME
 SUNSET HILLS CITY OF
 3939 S LINDBERGH BLVD
 SUNSET HILLS, MO 63127

Prepared by:
 Aaron Likas
 Truck Centers, Inc.
 2280 Formosa Road
 Troy, IL 62294

Data Code	Description	Weight Front	Weight Rear	Retail Price
607-046	CLEAR FRAME RAILS 60 INCHES FROM BACK OF CAB INSIDE/OUTBOARD AND BELOW BOTH FRAME RAILS			\$218.00
477-004	PULL CABLES ON ALL AIR RESERVOIR(S)			\$3.00
Trailer Connections				
914-001	AIR CONNECTIONS TO END OF FRAME WITH GLAD HANDS FOR TRUCK AND NO DUST COVERS			N/C
296-027	PRIMARY CONNECTOR/RECEPTACLE WIRED FOR COMBINATION STOP/TURN, CENTER PIN POWERED THROUGH IGNITION WITH STOP SIGNAL PREWIRE PACKAGE			\$59.00
297-001	SAE J560 7-WAY PRIMARY TRAILER CABLE RECEPTACLE MOUNTED END OF FRAME			N/C
50V-002	PDI INSTALLED ELECTRIC BRAKE CONTROLLER			\$420.00
335-004	UPGRADED CHASSIS MULTIPLEXING UNIT			STD
Wheelbase & Frame				
545-415	4150MM (163 INCH) WHEELBASE			N/C
546-101	11/32X3-1/2X10-15/16 INCH STEEL FRAME (8.73MMX277.8MM/0.344X10.94 INCH) 120KSI	90		\$314.00
547-001	1/4 INCH (6.35MM) C-CHANNEL INNER FRAME REINFORCEMENT	150	340	\$1,500.00
548-803	BODY COMPANY INSTALLED ADDITIONAL FRONT FRAME REINFORCEMENT FOR SNOW PLOW			N/C
552-045	2025MM (80 INCH) REAR FRAME OVERHANG			N/C
55W-007	FRAME OVERHANG RANGE: 71 INCH TO 80 INCH	-30	120	N/C
549-002	24 INCH INTEGRAL FRONT FRAME EXTENSION	115	-20	\$4.00
AC8-99D	CALC'D BACK OF CAB TO REAR SUSP C/L (CA) : 97.83 in			
AE8-99D	CALCULATED EFFECTIVE BACK OF CAB TO REAR SUSPENSION C/L (CA) : 94.83 in			
AE4-99D	CALC'D FRAME LENGTH - OVERALL : 308.24 in			
FSS-0LH	CALCULATED FRAME SPACE LH SIDE : 61.15 in			N/C
FSS-0RH	CALCULATED FRAME SPACE RH SIDE : 125.79 in			N/C
553-001	SQUARE END OF FRAME			STD
550-001	FRONT CLOSING CROSSMEMBER			STD
559-001	STANDARD WEIGHT ENGINE CROSSMEMBER			STD
562-001	STANDARD MIDSHIP #1 CROSSMEMBER(S)			STD
572-001	STANDARD REAR MOST CROSSMEMBER			STD
565-001	STANDARD SUSPENSION CROSSMEMBER			STD



Prepared for:
 JERRY EIME
 SUNSET HILLS CITY OF
 3939 S LINDBERGH BLVD
 SUNSET HILLS, MO 63127

Prepared by:
 Aaron Likas
 Truck Centers, Inc.
 2280 Formosa Road
 Troy, IL 62294

Data Code	Description	Weight Front	Weight Rear	Retail Price
Chassis Equipment				
556-1E5	14 INCH PAINTED STEEL BUMPER			STD
558-001	FRONT TOW HOOKS - FRAME MOUNTED	15		\$80.00
551-007	GRADE 8 THREADED HEX HEADED FRAME FASTENERS			STD
Fuel Tanks				
204-215	50 GALLON/189 LITER SHORT RECTANGULAR ALUMINUM FUEL TANK - LH	-10		\$30.00
218-005	RECTANGULAR FUEL TANK(S)			N/C
215-005	PLAIN ALUMINUM/PAINTED STEEL FUEL/HYDRAULIC TANK(S) WITH PAINTED BANDS			STD
212-007	FUEL TANK(S) FORWARD			STD
664-001	PLAIN STEP FINISH			STD
205-001	FUEL TANK CAP(S)			STD
122-1J1	DETROIT FUEL/WATER SEPARATOR WITH WATER IN FUEL SENSOR, HAND PRIMER AND 12 VOLT PREHEATER"	-5		\$51.00
216-020	EQUIFLO INBOARD FUEL SYSTEM			STD
202-016	HIGH TEMPERATURE REINFORCED NYLON FUEL LINE			STD
Tires				
093-12A	BF GOODRICH ROUTE CONTROL S 11R22.5 16 PLY RADIAL FRONT TIRES	-4		(\$268.00)
094-12A	BF GOODRICH ROUTE CONTROL S 11R22.5 16 PLY RADIAL REAR TIRES		-8	(\$536.00)
510-12A	BF GOODRICH ROUTE CONTROL S 11R22.5 16 PLY RADIAL SPARE TIRE		125	\$584.00
Hubs				
418-060	CONMET PRESET PLUS PREMIUM IRON FRONT HUBS			STD
450-060	CONMET PRESET PLUS PREMIUM IRON REAR HUBS			STD
Wheels				
502-428	ACCURIDE 28828 22.5X8.25 10-HUB PILOT 6.18 INSET 2-HAND HD STEEL DISC FRONT WHEELS	26		STD
505-428	ACCURIDE 28828 22.5X8.25 10-HUB PILOT 2-HAND HD STEEL DISC REAR WHEELS		52	STD
511-428	ACCURIDE 28828 22.5X8.25 10-HUB PILOT 2-HAND HD STEEL DISC SPARE WHEEL		83	\$195.00
496-011	FRONT WHEEL MOUNTING NUTS			STD
497-011	REAR WHEEL MOUNTING NUTS			STD



Prepared for:
 JERRY EIME
 SUNSET HILLS CITY OF
 3939 S LINDBERGH BLVD
 SUNSET HILLS, MO 63127

Prepared by:
 Aaron Likas
 Truck Centers, Inc.
 2280 Formosa Road
 Troy, IL 62294

Data Code	Description	Weight Front	Weight Rear	Retail Price
495-998	NO PUSHER/TAG WHEEL MOUNTING NUTS			STD
Cab Exterior				
829-1A5	108 INCH BBC FLAT ROOF ALUMINUM CONVENTIONAL CAB			STD
650-008	AIR CAB MOUNTING			STD
648-002	NONREMOVABLE BUGSCREEN MOUNTED BEHIND GRILLE			STD
667-037	SHORT FENDER WITH MUDFLAP			\$141.00
754-017	BOLT-ON MOLDED FLEXIBLE FENDER EXTENSIONS	10		\$115.00
678-001	LH AND RH GRAB HANDLES			STD
646-041	STATIONARY BLACK GRILLE			STD
65X-004	BLACK HOOD MOUNTED AIR INTAKE GRILLE			STD
644-004	FIBERGLASS HOOD			STD
727-1AF	SINGLE 14 INCH ROUND HADLEY AIR HORN UNDER LH DECK			(\$23.00)
726-001	SINGLE ELECTRIC HORN			STD
728-001	SINGLE HORN SHIELD			STD
657-001	DOOR LOCKS AND IGNITION SWITCH KEYED THE SAME			STD
78G-002	KEY QUANTITY OF 2			STD
575-001	REAR LICENSE PLATE MOUNT END OF FRAME			STD
312-068	HALOGEN COMPOSITE HEADLAMPS WITH BLACK BEZELS			STD
302-047	LED AERODYNAMIC MARKER LIGHTS			\$34.00
311-025	HEADLIGHTS ON WITH WIPERS, WITH LOW BEAM DAYTIME RUNNING LIGHTS			\$21.00
294-090	OMIT STOP/TAIL/BACKUP LIGHTS AND PROVIDE WIRING FOR COMBINED STOP/TURN LIGHTS TO FOUR FEET BEYOND END OF FRAME		-5	(\$35.00)
300-015	STANDARD FRONT TURN SIGNAL LAMPS			STD
744-1BC	DUAL WEST COAST BRIGHT FINISH HEATED MIRRORS WITH LH AND RH REMOTE			\$286.00
797-001	DOOR MOUNTED MIRRORS			STD
796-001	102 INCH EQUIPMENT WIDTH			STD
743-204	LH AND RH 8 INCH BRIGHT FINISH CONVEX MIRRORS MOUNTED UNDER PRIMARY MIRRORS			N/C
729-001	STANDARD SIDE/REAR REFLECTORS			STD
275-061	PARK BRAKE REMINDER WARNING SYSTEM			\$9.00
768-043	63X14 INCH TINTED REAR WINDOW			STD
661-003	TINTED DOOR GLASS LH AND RH WITH TINTED NON-OPERATING WING WINDOWS			(\$117.00)



Prepared for:
 JERRY EIME
 SUNSET HILLS CITY OF
 3939 S LINDBERGH BLVD
 SUNSET HILLS, MO 63127

Prepared by:
 Aaron Likas
 Truck Centers, Inc.
 2280 Formosa Road
 Troy, IL 62294

Data Code	Description	Weight Front	Weight Rear	Retail Price
654-027	RH AND LH ELECTRIC POWERED WINDOWS, PASSENGER SWITCHES ON DOOR(S)	4		\$218.00
663-029	1-PIECE BONDED HEATED WIPER PARK SOLAR GREEN GLASS WINDSHIELD			\$423.00
659-006	8 LITER (2 GAL) WINDSHIELD WASHER RESERVOIR, CAB MOUNTED, WITH FLUID LEVEL INDICATOR			\$15.00
Cab Interior				
707-1AK	OPAL GRAY VINYL INTERIOR			STD
706-013	MOLDED PLASTIC DOOR PANEL			STD
708-013	MOLDED PLASTIC DOOR PANEL			STD
772-006	BLACK MATS WITH SINGLE INSULATION			STD
785-004	DASH MOUNTED ASH TRAY(S) WITHOUT LIGHTER			N/C
691-998	NO FORWARD ROOF MOUNTED CONSOLE			(\$12.00)
694-010	IN DASH STORAGE BIN			N/C
742-007	(2) CUP HOLDERS LH AND RH DASH			STD
680-006	GRAY/CHARCOAL FLAT DASH			N/C
860-004	SMART SWITCH EXPANSION MODULE			\$196.00
720-004	10 LB. FIRE EXTINGUISHER WITH MOUNTING BRACKET	20		\$139.00
700-002	HEATER, DEFROSTER AND AIR CONDITIONER			STD
701-001	STANDARD HVAC DUCTING			STD
703-005	MAIN HVAC CONTROLS WITH RECIRCULATION SWITCH			STD
170-019	STANDARD HEATER PLUMBING WITH BALL SHUTOFF VALVES			\$37.00
130-041	VALEO HEAVY DUTY A/C REFRIGERANT COMPRESSOR			STD
702-002	BINARY CONTROL, R-134A			STD
739-034	PREMIUM INSULATION			\$145.00
285-013	SOLID-STATE CIRCUIT PROTECTION AND FUSES			STD
280-007	12V NEGATIVE GROUND ELECTRICAL SYSTEM			STD
324-011	DOME DOOR ACTIVATED LH AND RH, DUAL READING LIGHTS, FORWARD CAB ROOF			N/C
655-005	LH AND RH ELECTRIC DOOR LOCKS			\$36.00
284-101	(1) 12V POWER SUPPLY (1) DUAL 2.1 AMP USB CHARGER IN DASH			\$72.00
722-028	TRIANGULAR REFLECTORS KIT WITHOUT FLARES SHIPPED LOOSE IN CAB	10		\$24.00



Prepared for:
 JERRY EIME
 SUNSET HILLS CITY OF
 3939 S LINDBERGH BLVD
 SUNSET HILLS, MO 63127

Prepared by:
 Aaron Likas
 Truck Centers, Inc.
 2280 Formosa Road
 Troy, IL 62294

Data Code	Description	Weight Front	Weight Rear	Retail Price
756-338	BASIC ISRINGHAUSEN HIGH BACK AIR SUSPENSION DRIVERS SEAT WITH MECHANICAL LUMBAR AND INTEGRATED CUSHION EXTENSION	30		\$167.00
760-337	BASIC ISRINGHAUSEN HIGH BACK NON SUSPENSION TOOL BOX PASSENGER SEAT			\$236.00
759-007	DUAL DRIVER SEAT ARMRESTS, NO PASSENGER SEAT ARMRESTS	4		\$69.00
711-004	LH AND RH INTEGRAL DOOR PANEL ARMRESTS			STD
758-022	BLACK MORDURA CLOTH DRIVER SEAT COVER			\$25.00
761-023	BLACK MORDURA CLOTH PASSENGER SEAT COVER			\$22.00
763-101	BLACK SEAT BELTS			STD
532-002	ADJUSTABLE TILT AND TELESCOPING STEERING COLUMN	10		\$478.00
540-015	4-SPOKE 18 INCH (450MM) STEERING WHEEL			N/C
765-002	DRIVER AND PASSENGER INTERIOR SUN VISORS			STD

Instruments & Controls

732-004	GRAY DRIVER INSTRUMENT PANEL			N/C
734-004	GRAY CENTER INSTRUMENT PANEL			N/C
87L-001	ENGINE REMOTE INTERFACE WITH PARK BRAKE INTERLOCK			N/C
870-001	BLACK GAUGE BEZELS			N/C
486-001	LOW AIR PRESSURE INDICATOR LIGHT AND AUDIBLE ALARM			STD
840-002	2 INCH PRIMARY AND SECONDARY AIR PRESSURE GAUGES			N/C
198-025	INTAKE MOUNTED AIR RESTRICTION INDICATOR WITHOUT GRADUATIONS			STD
721-001	97 DB BACKUP ALARM		3	\$47.00
149-013	ELECTRONIC CRUISE CONTROL WITH SWITCHES IN LH SWITCH PANEL			N/C
156-007	KEY OPERATED IGNITION SWITCH AND INTEGRAL START POSITION; 4 POSITION OFF/RUN/START/ACCESSORY			STD
811-042	ICU3S, 132X48 DISPLAY WITH DIAGNOSTICS, 28 LED WARNING LAMPS AND DATA LINKED			N/C
160-038	HEAVY DUTY ONBOARD DIAGNOSTICS INTERFACE CONNECTOR LOCATED BELOW LH DASH			STD
844-001	2 INCH ELECTRIC FUEL GAUGE			STD

Prepared for:
 JERRY EIME
 SUNSET HILLS CITY OF
 3939 S LINDBERGH BLVD
 SUNSET HILLS, MO 63127

Prepared by:
 Aaron Likas
 Truck Centers, Inc.
 2280 Formosa Road
 Troy, IL 62294

Data Code	Description	Weight Front	Weight Rear	Retail Price
148-073	ENGINE REMOTE INTERFACE FOR REMOTE THROTTLE			\$110.00
163-001	ENGINE REMOTE INTERFACE CONNECTOR AT BACK OF CAB			N/C
856-001	ELECTRICAL ENGINE COOLANT TEMPERATURE GAUGE			STD
864-001	2 INCH TRANSMISSION OIL TEMPERATURE GAUGE			STD
830-017	ENGINE AND TRIP HOUR METERS INTEGRAL WITHIN DRIVER DISPLAY			STD
372-035	(1) DASH MOUNTED PTO SWITCH WITH INDICATOR LAMP	10		\$69.00
852-002	ELECTRIC ENGINE OIL PRESSURE GAUGE			STD
679-001	OVERHEAD INSTRUMENT PANEL			STD
35M-001	SMARTPLEX HUB MODULE WITH OVERHEAD SWITCH MOUNTING, DRIVER SIDE ONLY (6 SWITCH SLOTS)	44		\$1,354.00
746-137	AM/FM/WB WORLD TUNER RADIO WITH BLUETOOTH, USB AND AUXILIARY INPUTS, J1939	10		\$490.00
747-001	DASH MOUNTED RADIO			N/C
750-002	(2) RADIO SPEAKERS IN CAB			N/C
753-001	AM/FM ANTENNA MOUNTED ON FORWARD LH ROOF			\$23.00
748-009	POWER AND GROUND STUDS IN DASH PLUS ROOF CONSOLE WIRING			\$24.00
749-016	CB WIRING ONLY TO ROOF/OVERHEAD CONSOLE; NO MOUNTING PROVISION			\$32.00
810-027	ELECTRONIC MPH SPEEDOMETER WITH SECONDARY KPH SCALE, WITHOUT ODOMETER			STD
817-001	STANDARD VEHICLE SPEED SENSOR			STD
812-001	ELECTRONIC 3000 RPM TACHOMETER			STD
162-011	IDLE LIMITER, ELECTRONIC ENGINE			N/C
329-010	TWO ON/OFF ROCKER SWITCHES IN THE DASH WITH INDICATOR LIGHTS AND WIRE ROUTED TO CHASSIS AT BACK OF CAB, LABEL OPT			\$59.00
81Y-001	PRE-TRIP LAMP INSPECTION, ALL OUTPUTS FLASH, WITH SMART SWITCH			\$12.00
44R-001	1 ON/OFF LATCHING SMARTPLEX SWITCH			\$14.00
44T-001	1 ON/OFF/ON LATCHING SMARTPLEX SWITCH			\$12.00
44U-001	1 ON/OFF/ON MOMENTARY SMARTPLEX SWITCH			\$13.00
482-001	BW TRACTOR PROTECTION VALVE			N/C
883-001	TRAILER HAND CONTROL BRAKE VALVE			N/C



Prepared for:
 JERRY EIME
 SUNSET HILLS CITY OF
 3939 S LINDBERGH BLVD
 SUNSET HILLS, MO 63127

Prepared by:
 Aaron Likas
 Truck Centers, Inc.
 2280 Formosa Road
 Troy, IL 62294

Data Code	Description	Weight Front	Weight Rear	Retail Price
836-015	DIGITAL VOLTAGE DISPLAY INTEGRAL WITH DRIVER DISPLAY			STD
660-025	SINGLE ELECTRIC WINDSHIELD WIPER MOTOR WITH DELAY PROGRAMMED TO SLOWEST SPEED WITH PARK BRAKE SET			\$19.00
304-039	MARKER LIGHT SWITCH INTEGRAL WITH HEADLIGHT SWITCH AND DUAL CONNECTORS AND SWITCH FOR CUSTOMER FURNISHED SNOW PLOW LIGHTS, LOW BEAMS OFF WITH HIGH BEAMS			\$214.00
882-021	TWO VALVE PARKING BRAKE SYSTEM WITH DASH VALVE CONTROL AUTONEUTRAL AND WARNING INDICATOR			\$13.00
299-013	SELF CANCELING TURN SIGNAL SWITCH WITH DIMMER, WASHER/WIPER AND HAZARD IN HANDLE			N/C
298-039	INTEGRAL ELECTRONIC TURN SIGNAL FLASHER WITH HAZARD LAMPS OVERRIDING STOP LAMPS			STD
Design				
065-000	PAINT: ONE SOLID COLOR			STD
Color				
980-7YJ	CAB COLOR A: L5994EY HARVESTER RED ELITE EY			N/C
986-020	BLACK, HIGH SOLIDS POLYURETHANE CHASSIS PAINT			STD
962-802	FRONT WHEEL PAINT: 00767681EA BLACK ELITE SS			\$170.00
966-802	REAR WHEEL PAINT: 00767681EA BLACK ELITE SS			\$340.00
96F-802	SPARE WHEEL PAINT: 00767681EA BLACK ELITE SS			\$85.00
964-020	STANDARD BLACK BUMPER PAINT			STD
963-003	STANDARD E COAT/UNDERCOATING			STD
Certification / Compliance				
996-001	U.S. FMVSS CERTIFICATION, EXCEPT SALES CABS AND GLIDER KITS			STD
Secondary Factory Options				
998-033	CORPORATE PDI CENTER IN-SERVICE AND OPTION INSTALLATION/MODIFICATION			N/C
999-062	DEALER/CUSTOMER ADVISED AND ACCEPTS BUMPER SHOULD BE REMOVED PRIOR TO RECOVERING/TOWING THE VEHICLE PER FRACAS:11687			N/C



Prepared for:
 JERRY EIME
 SUNSET HILLS CITY OF
 3939 S LINDBERGH BLVD
 SUNSET HILLS, MO 63127

Prepared by:
 Aaron Likas
 Truck Centers, Inc.
 2280 Formosa Road
 Troy, IL 62294

Data Code	Description	Weight Front	Weight Rear	Retail Price
-----------	-------------	--------------	-------------	--------------

Raw Performance Data

AE8-99D CALCULATED EFFECTIVE BACK OF CAB TO REAR SUSPENSION C/L (CA) : 94.83 in

Weight Summary

	Weight Front	Weight Rear	Total Weight
Factory Weight ⁺	7659 lbs	4698 lbs	12357 lbs
Total Weight ⁺	7659 lbs	4698 lbs	12357 lbs

Other Factory Charges

PNZ-998	NO CARB22 BASE WARRANTY SURCHARGE	N/C
PMV-021	GHG21 ENHANCEMENT PRICE	\$510.00
RAG-020	CUMMINS TARIFF CHARGE - \$205	\$205.00
RFY-022	FRONT TIRE SURCHARGE	\$40.00
RFU-022	REAR TIRE SURCHARGE	\$80.00
RFX-022	SPARE TIRE SURCHARGE	\$25.00
RFZ-023	MY23 PRODUCTION COST SURCHARGE	\$2,900.00
P73-2FT	STANDARD DESTINATION CHARGE	\$2,700.00

Extended Warranty

WAI-47H	CUM 2017 L9: HD1 MD DTY 5 YEARS / 100,000 MILES / 161,000 KM EXTENDED WARRANTY. FEX APPLIES	\$1,300.00
WAX-101	CUM 2017 L9: AT3 MD DTY 5 YEARS / 100,000 MILES / 161,000 KM AFTERTREATMENT. FEX APPLIES	\$590.00
WAG-010	TOWING: 1 YEAR/UNLIMITED MILES/KM EXTENDED TOWING COVERAGE \$550 CAP FEX APPLIES	\$200.00
Total Extended Warranty (Local Currency)		\$2,090.00

(+) Weights shown are estimates only.

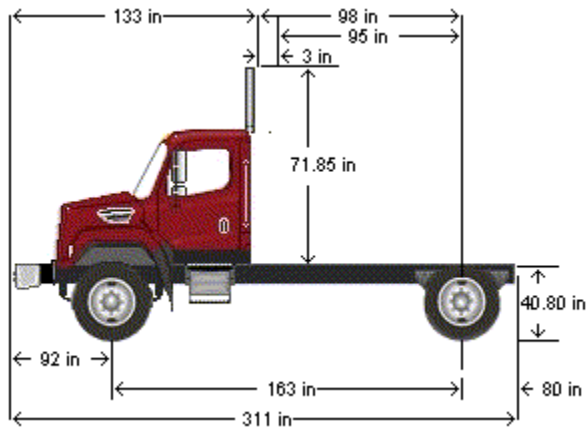
If weight is critical, contact Customer Application Engineering.

(**) Prices shown do not include taxes, fees, etc... "Net Equipment Selling Price" is located on the Quotation Details Proposal Report.

(***) All cost increases for major components (Engines, Transmissions, Axles, Front and Rear Tires) and government mandated requirements, tariffs, and raw material surcharges will be passed through and added to factory invoices.



D I M E N S I O N S



VEHICLE SPECIFICATIONS SUMMARY - DIMENSIONS

Wheelbase (545)	4150MM (163 INCH) WHEELBASE
Rear Frame Overhang (552)	2025MM (80 INCH) REAR FRAME OVERHANG
Fifth Wheel (578)	NO FIFTH WHEEL
Mounting Location (577)	NO FIFTH WHEEL LOCATION
Maximum Forward Position (in)	0
Maximum Rearward Position (in)	0
Amount of Slide Travel (in)	0
Slide Increment (in)	0
Desired Slide Position (in)	0.0
Cab Size (829)	108 INCH BBC FLAT ROOF ALUMINUM CONVENTIONAL CAB
Sleeper (682)	NO SLEEPER BOX/SLEEPERCAB
Exhaust System (016)	RH OUTBOARD UNDER STEP MOUNTED HORIZONTAL AFTERTREATMENT SYSTEM ASSEMBLY WITH RH B-PILLAR MOUNTED VERTICAL TAILPIPE

Prepared for:
 JERRY EIME
 SUNSET HILLS CITY OF
 3939 S LINDBERGH BLVD
 SUNSET HILLS, MO 63127

Prepared by:
 Aaron Likas
 Truck Centers, Inc.
 2280 Formosa Road
 Troy, IL 62294

TABLE SUMMARY - DIMENSIONS

Dimensions	Inches
Bumper to Back of Cab (BBC)	133.3
Bumper to Centerline of Front Axle (BA)	91.7
Min. Cab to Body Clearance (CB)	3.0
Back of Cab to Centerline of Rear Axle(s) (CA)	97.8
Effective Back of Cab to Centerline of Rear Axle(s) (Effective CA)	94.8
Back of Cab Protrusions (Exhaust/Intake) (CP)	2.0
Back of Cab Protrusions (Side Extenders/Trim Tab) (CP)	0.0
Back of Cab Protrusions (CNG Tank)	0.0
Back of Cab Clearance (CL)	3.0
Back of Cab to End of Frame	177.5
Cab Height (CH)	71.9
Wheelbase (WB)	163.4
Frame Overhang (OH)	79.7
Overall Frame Length	308.2
Overall Length (OAL)	310.8
Rear Axle Spacing	0.0
Unladen Frame Height at Centerline of Rear Axle	40.8

Performance calculations are estimates only. If performance calculations are critical, please contact Customer Application Engineering.

